

Exclusive Manufacturer & Distributor of

ECOncrete®

ECOLOGICAL ARMOURING UNIT

Armouring units are modular building blocks of marine infrastructure, which provide coastal defence against hydrodynamic forces.

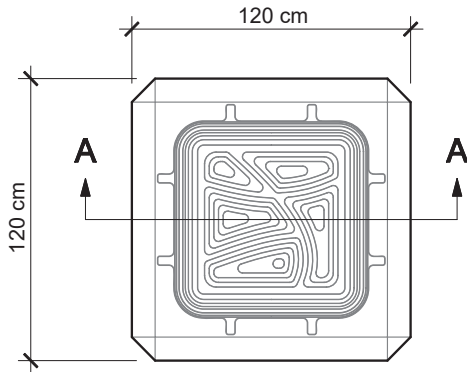
ECOConcrete® ecological armouring units comply with the formal requirements for coastal and marine construction and additionally create marine habitats, encourage growth of marine flora and fauna, increase species richness, reduce the influence of invasive species and enhance biodiversity.



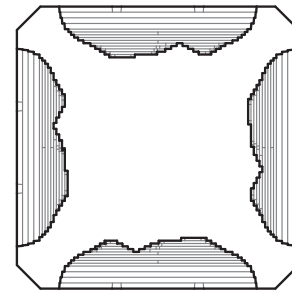
Unit Length (cm)	Unit Width (cm)	Unit Height (cm)	Volume (Litres)	Weight (Kg)
120 (47")	120 (47")	120 (47")	1053 (2586 yd ³)	2530 (5575 lbs)

ECONcrete[®] Armouring Unit's dimensions can be fitted to specific project requirements.

The specific concrete matrix used for the casting is defined according to the project's distinct constructive and biological requirements.

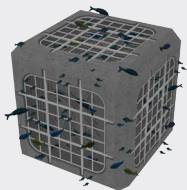


SECTION AA



The design of ECONcrete[®] units allows them to receive various add-on elements for targeted enhancement.

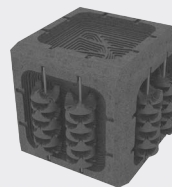
Fish Hubs



Oyster Shell



Oyster Hatchery Unit

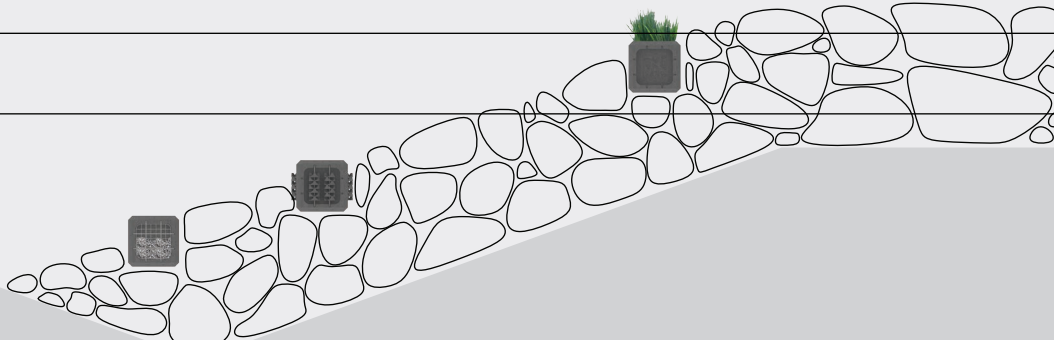


Tidal Planter



MHHW

MLLW



COPYRIGHT: The concepts and information contained in this document are the copyright of ECONcrete Tech LTD. Use or copying of the document in whole or part without the written permission of ECONcrete Tech LTD constitutes an infringement of copyright.