



# MOORECONCRETE

## PRECAST WATER TROUGHS



Our range of precast water troughs

Designed to meet the requirements of our customers

[www.moore-concrete.com](http://www.moore-concrete.com)



# PRECAST WATER TROUGHS

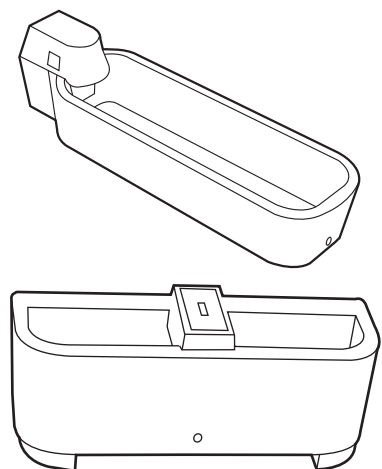
## DIMENSIONS

Capacity	Length	Width	Depth	Weight (kg)	Type
68 Ltrs (15 gal)	970	600	370	220	Single
90 Ltrs (20 gal)	1170	600	370	260	Single
205 Ltrs (45 gal)	2000	600	370	420	Single
180 Ltrs (40 gal)	1490	670	410	420	Double
340 Ltrs (75 gal)	1540	770	520	520	Double
680 Ltrs (150 gal)	1890	920	610	760	Double
1365 Ltrs (300 gal)	2400	1200	800	1400	Double
2270 Ltrs (500 gal)	4000	1200	800	2180	Double
455 Ltrs (100 gal)	2135	675	700*	1050	Cubicle
1590 Ltrs (350 gal)	1900 Diameter		870	1180	Circular

\*not including 100mm feet

## FEATURES & BENEFITS INCLUDE:

- **Curved Profile** – the rounded corners are included throughout the entire range both internally and externally, including the base. This not only makes the trough safer for animals, but also enhances the strength.
- **Bung** – each trough includes a 49mm rubber bung which is positioned on the side wall of the trough. This allows the trough to be drained over the winter months.
- **Lids** – we have simplified the design so that there are only 2 lid designs for the entire range. The 15, 20 & 45 gal single troughs have a lid mounted at one end. The lid on the 40, 75, 150, 300 & 500 gal troughs are mounted in the centre and incorporate a removable insert to allow easy access to the ballcock.
- **Ballcocks** – the ballcock will be mounted onto a plate which is fixed to the side of the trough. This will suit both conventional & fast flow ballcocks. Ballcocks can be supplied upon request as an additional extra.
- **Water Pipe Recess** – the double troughs have recess on the top rim of the trough. This allows the pipe to be pulled closer to the trough and affords a degree of protection.
- **45 gal Sheep Trough**  
(2.0m long x 600mm wide x 360 deep) – The shallow depth and longer length makes it ideal for sheep with a maximum number able to access the trough at once.
- **In House Trough** – This curved narrow trough eliminates problems associated with a shortage of drinking points while optimising space. It is fitted with a 75mm bung and drains in less than 2 minutes.



Water Troughs are manufactured in compliance with BS 3445 and comply with WRAS regulations.

Moore Concrete Products Ltd, Caherty House, 41 Woodside Road, Ballymena, County Antrim, Northern Ireland BT42 4QH

Tel: +44 (0) 28 2565 2566 Fax: +44 (0) 28 2565 8480

Web: [www.moore-concrete.com](http://www.moore-concrete.com) Email: [info@moore-concrete.com](mailto:info@moore-concrete.com)



INVESTOR IN PEOPLE

