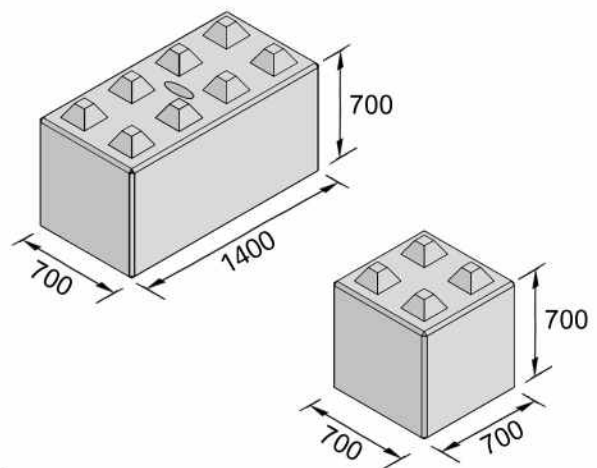


Quikbloc is a lego style block and is ideal for both temporary and permanent structures. The interlocking blocks create a strong structure with no need for bonding or fixing.

Installation is fast and simple as the blocks are manoeuvred using the lifting anchor cast into the top of each block.



The interlocking principle provides flexibility in that the structure can be modified or extended with ease. This also means that the blocks can be removed or relocated at any time.



Quikbloc has a variety of uses including –

- Storage Bays
- Security Perimeters
- Earth Retention
- Partition Walls
- Segregation
- Coastal Defence

Suitable for the storage of bulk materials including –

- Aggregate
- Grain
- Road Salt/Grit
- Root Vegetables
- Recyclables/Waste
- Fertiliser
- Woodchip/Pellets
- Coal

Product Type	L x W x H (mm)	Weight (kg)
Full Block	1400 x 700 x 700	1600
Half Block	700 x 700 x 700	800

Moore Concrete Products Ltd, Caherty House, 41 Woodside Road  
Ballymena, County Antrim, Northern Ireland, BT42 4QH

Tel: + 44 (0) 28 2565 2566 Fax: +44 (0) 28 2565 8480

Web: [www.moore-concrete.com](http://www.moore-concrete.com) Email: [info@moore-concrete.com](mailto:info@moore-concrete.com)

