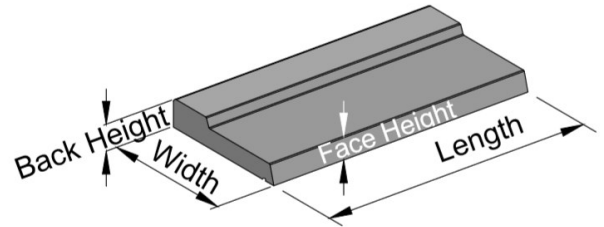
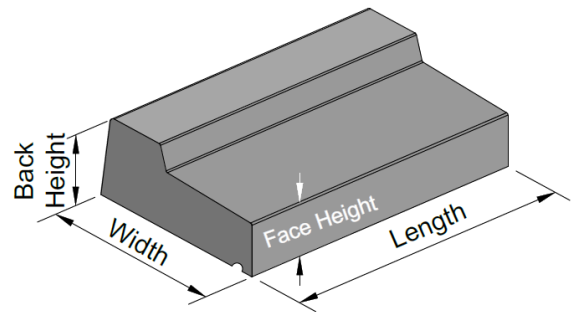


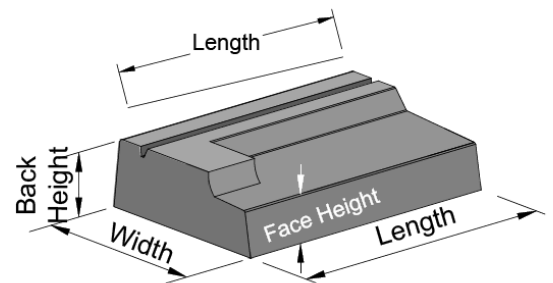
Product Type	Width	Back Height	Face Height	Max Length
<b>Single Course Sils</b>				
Standard Sill	265	75	45	2700
Sill for Timber Frame	215	75	45	2100
Garage Sill ( <i>Made to order</i> )	180	75	45	2600



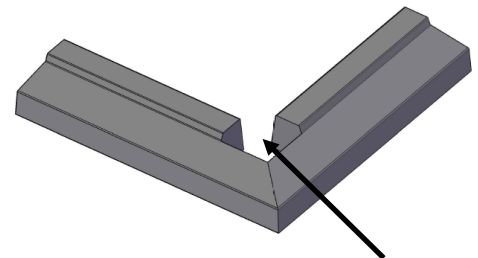
Product Type	Width	Back Height	Face Height	Max Length
<b>2 Course Sils</b>				
Standard Sill	245	140	90	3200
Sill for Timber Frame	215	140	90	2900
12" Sill for Cladding	305	140	90	3200
14" Sill for Cladding	350	140	90	2500
16" Sill for Cladding	400	150	100	2400



Product Type	Width	Back Height	Face Height	Max Length
<b>2 Course Stooled Sils</b>				
2 Course Standard Stooled Sill	245	140	90	2572
2 Course Stooled Sill for Timber Frame	245	140	90	2685



Corner Sill
1m x 1m standard corner sill to suit:
- Single course standard sill                      - 2 course standard sill                      -
- 2 course 12" sill for cladding                      - 2 course timber frame sill
Smaller lengths can be made to order
<i>Other types of sils can be mitered on site to create corner sils</i>



Corner sill available without post hole on request

### Single Course



### Two Course



The difference between single course or two course is the face height of the sill - this aesthetic feature can be decided upon by customer preference.

### Brickwork



### Blockwork (Render)



Sills are available with 100mm stools for brickwork.

### Stonework on House



14" and 16" sills for stonework or cladding available to order.

### Exposed Pebble Finish



Sills can be made to order with exposed aggregate or exposed pebble finish.

Bay Sills



Curved Sills



### Did you know?

We have a **house plan quotation service**.

Our dedicated team will assist with quantifying the perfect products for your build.

