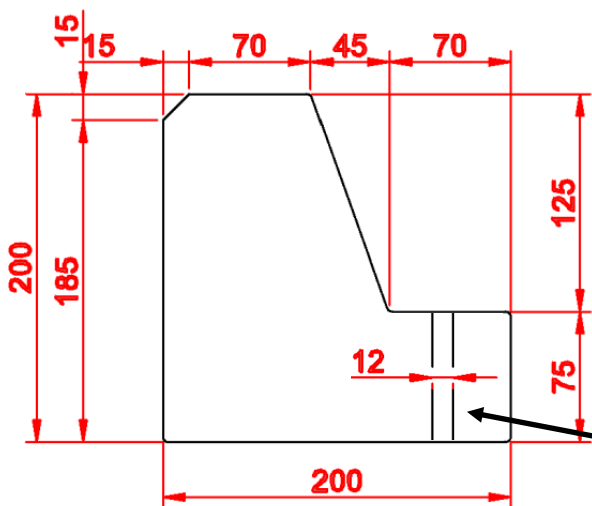
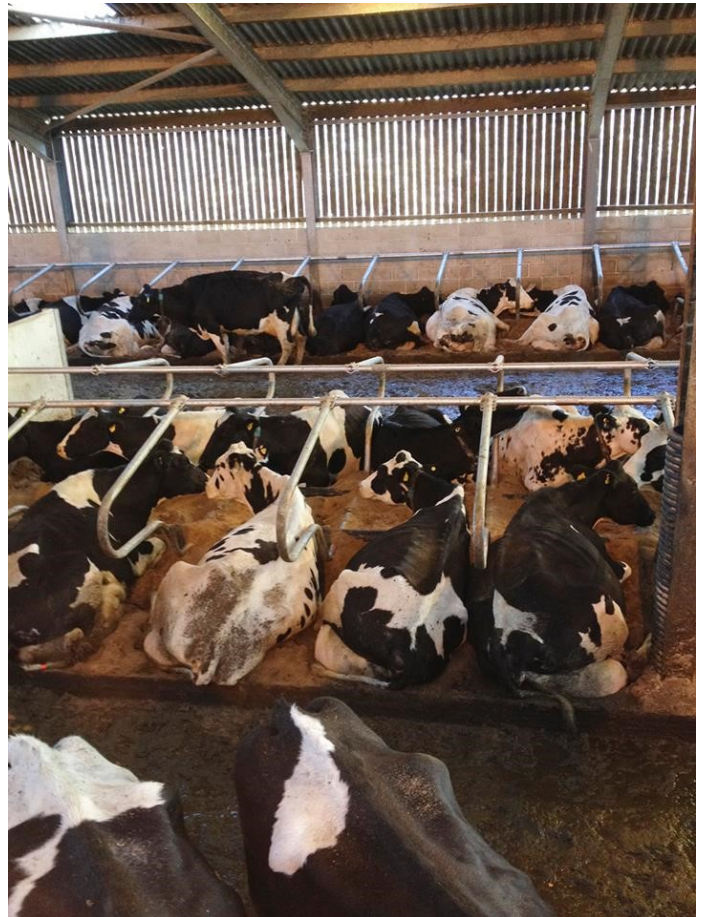


L Shaped Cubicle Kerb



The Cubicle Kerbs have 2 bolt down holes to allow easy fixing to the floor and also have rounded edges to be livestock friendly.

Recess to allow product to be bolted onto slab.