



MOORECONCRETE

REDI*ROCK



Redi-Rock Walls

Precast interlocking blocks for retaining and freestanding walls

www.moore-concrete.com



Retaining Walls

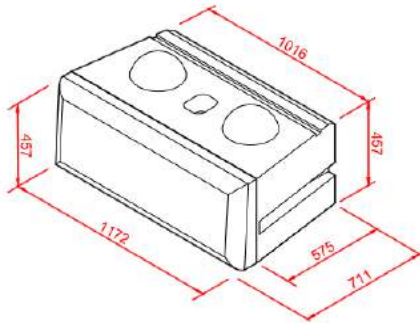
High quality precast solution

Redi-Rock retaining walls can be rapidly constructed using the innovative one tonne interlocking blocks. The precast blocks are created in moulds with a natural cobblestone finish. This is much more aesthetically pleasing than traditional retaining wall designs.

As an interlocking product, Redi-Rock is capable of creating an instant retaining wall system. They provide versatility to achieve high structures without compromising strength. The blocks are dry laid, making it quick and easy to build. It is like creating a wall with giant Lego™ Blocks.

Creating Redi-Rock walls requires a combination of three different block types; Top, Middle & Bottom.

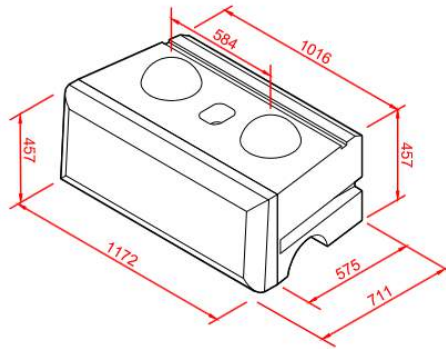
Bottom Block



Block Weight: 791kg

Block Volume: 0.345m³

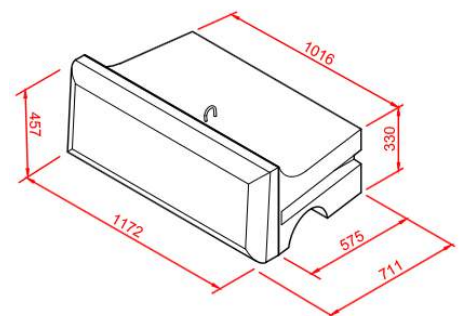
Middle Block



Block Weight: 732kg

Block Volume: 0.319m³

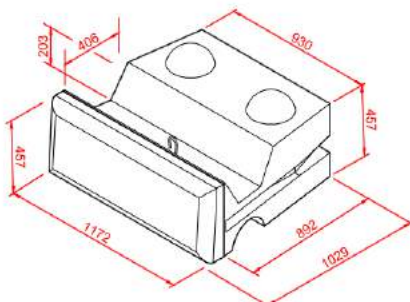
Top Block



Block Weight: 557kg

Block Volume: 0.243m³

Planter



Block Weight: 910kg

Block Volume: 0.400m³



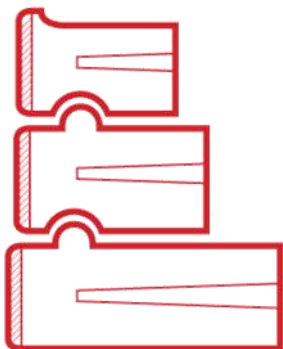
Key Benefits

- Fast and easy to install—up to ten times the speed of traditional walls
 - 60 blocks can be laid per day with one worker and digger driver.*
 - One customer reported laying 115 blocks in one day (with two workers and a digger driver).*
- Cost efficient complete project solution
- Engineered strength, achieving height without geogrid
- Space saving designs as geogrid is rarely needed
- The interlocking blocks do not need mortar, so can be dry laid in any weather
- Aesthetically pleasing, natural stone finish
- Minimal maintenance required
- Flexibility as blocks can be easily moved
- Reduce number of people and time on site means reduced risk and program
- Redi-Rock has the ability to create curves and corners
- Security/Force Protection systems available
- Full design & installation support available
- Redi-Rock are manufactured in a wet cast system making them incredibly strong and enabling them to withstand harsh weather and wave action

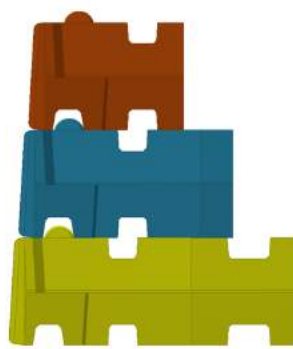


**Moore Concrete manufacture under license from Redi-Rock International of USA.
The Redi-Rock product is BBA approved with Roads and Bridges Agreement Certificate 12/R149.
They are also designed in accordance with BS EN 1997-1:2004.**

Other wall solutions



Gravity Walls



XL Block



MOORECONCRETE

XL Block

Redi-Rock XL is a new, hollow-core retaining block that extends the reach of the most comprehensive retaining wall system on the market.

The XL Block has double the face height of a standard Redi-Rock block meaning half the installation time.

It has a hollow core with a lighter weight. This lowers the cost of shipping.

Key Features:

- Double height face 914mm (36")
- Three widths available
 - 1.37m (54")
 - 1.83m (72")
 - 2.44m (96")
- Taller gravity walls can be designed up to 6 meters without any geotextiles
- The XL Block interlocks with all existing blocks in the Redi-Rock system, providing more tools to build the most efficient retaining wall solution.



Why choose Redi Rock XL Block?

- Reduced construction programme and cost
- Fast and easy installation up to 60 blocks per 2 man team a day, with double the face.
- Reduced site time resulting in reduced risk of slippage
- Less backfill required compared to traditional methods
- Less excavation



Scan the QR Code to view Timelapse video of XL Redi-Rock Wall installed at a site in Dungannon

Retaining Wall Applications

Road



Fast construction minimises disruption to keep traffic flowing

Railways



Less disruption to services through quick and economical solution

River



Reinforced to withstand heavy storms, these blocks can protect river banks from overflow and erosion

Coastal



Suitable for coastal and flood plain, shoreline and sea defence

Bridges



Can be used as abutments, wing walls or retaining walls leading up to or supporting a bridge

Landscaping



Planters terraces and sophisticated curves make a very attractive feature

Housing and Commercial Developments



The versatility of Redi-Rock and ease of installation, ensures a flexible retaining wall solution to maximise usable land, and create a beautiful aesthetic affect for the overall development

Redi-Rock Freestanding Walls

Redi-Rock Freestanding Blocks are textured on two or three sides. They can be modified with cables for additional force protection. A waterproof membrane can also be added for emergency or long term flood protection. They can stand alone or integrated with a Redi-Rock retainer wall. Freestanding Blocks can be used for:



Residential



Seat Walls



Steps



Planters



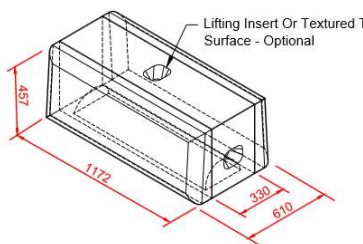
Landscape Design

Specifications:

Straight Top

Block Weight: 623kg

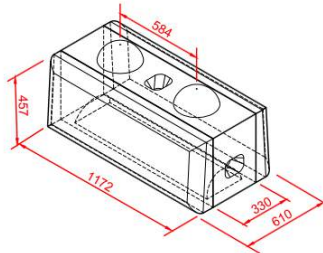
Block Volume: 0.272m³



Straight Middle

Block Weight: 638kg

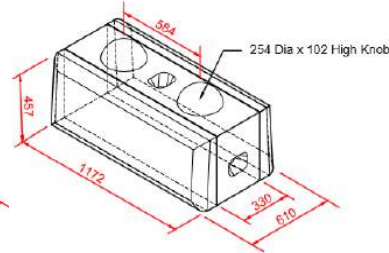
Block Volume: 0.279m³



Straight Bottom

Block Weight: 638kg

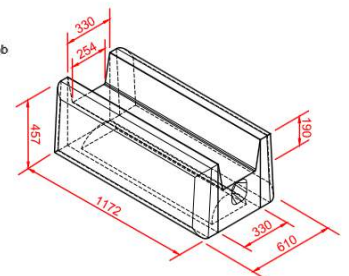
Block Volume: 0.279m³



Straight Garden Top

Block Weight: 476kg

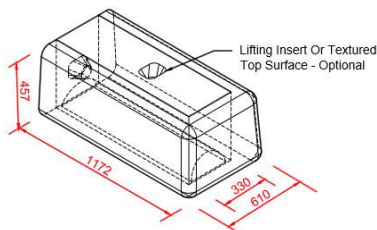
Block Volume: 0.208m³



Corner Top

Block Weight: 620kg

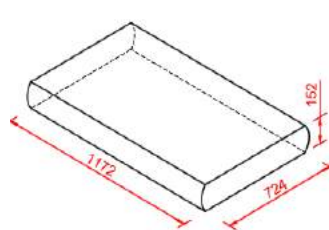
Block Volume: 0.270m³



Two-Sided Cap

Block Weight: 486kg

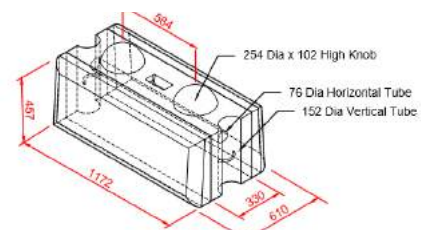
Block Volume: 0.125m³



Force Protection

Block Weight: 663kg

Block Volume: 0.290m³



All block styles are available with 76mm Horizontal Tube (for post tension cable) and/or 152mm Vertical Tubes (for mechanical tie down bolts) to allow the blocks to be used in a force protection application.

Redi-Rock Magic Block

Redi-Rock Magic Block is the newest edition to our free standing range. Why is it called Magic Block? Due to it's ability to perform so many tricks.

Thanks to the innovative hollow-core design, magic blocks can easily be filled with reinforcing steel and concrete to create a massive structure with enough strength to solve some of the most frequent challenges faced by retaining wall designers and installers, including attaching a barrier to the top of a retaining wall and creating flood protection walls.



Attach A Barrier to a Wall

Without the need to core drill, potentially sacrificing the integrity of the block, Freestanding Hollow-Core Blocks help attach barriers to the top of walls in all types of scenarios.



Overcome Water Challenges

Flood walls, detention ponds, channels, you name it! The Freestanding Hollow-Core Block is the perfect addition to the Redi-Rock arsenal combatting water challenges.



Cantilever Wall Capable

When a cast-in-place cantilever wall is what you need technically, but a better appearance is what you desire, Freestanding Hollow-Core Blocks can help you bridge the gap.



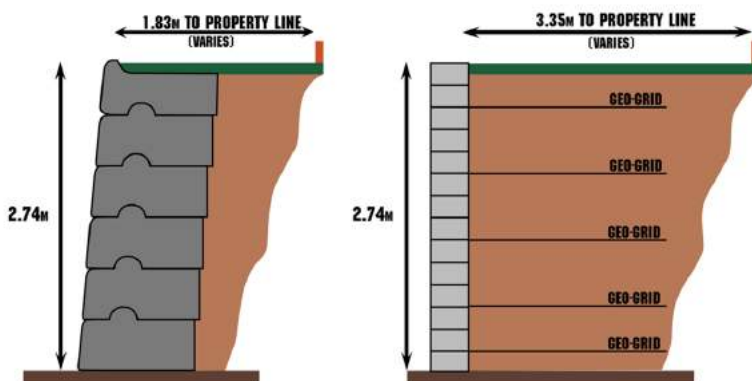
Maximizing Limited Space

Are you dealing with tight space constraints? Or do you need to create a pile wall? You guessed it, the Freestanding Hollow-Core Block can solve these challenges, too.

Planning and Installation

One of the major benefits of Redi-Rock is how quickly and easily contractors can install a Redi-Rock wall with a relatively small number of people and machinery. Moore Concrete offer extensive engineering, design and installation support for the Redi-Rock modular wall system which includes:

- Site survey
- Engineered design charts and calculations
- Full construction details



REDI+ROCK

Most competition



MOORECONCRETE

Force Protection

Redi-Rock's Force Protection System is the most innovative perimeter protection product on the market.

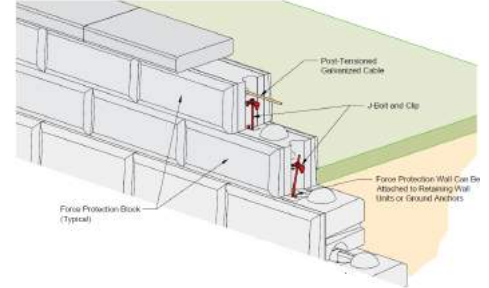
Post-Tension Cable and J-Bolt System: to link the blocks together

Modular Precast Concrete Blocks: walls can be easily dismantled and moved to another location

Redi-Rock's barrier wall does not require a footing in most applications eliminating otherwise expensive construction costs. It is installed easily using only minor construction methods.

System Advantages

- Fast to install Lego™ like system
- Removable/Relocatable
- No ground anchor—uses its own weight
- Integral cable dissipates kinetic energy
- Proven to dissipate to a halt a 7.5 tonne vehicle at 30mph in compliance with Pas 68:2007.
- Aesthetically pleasing, with the look of natural stone



Example Projects

Before



After

