

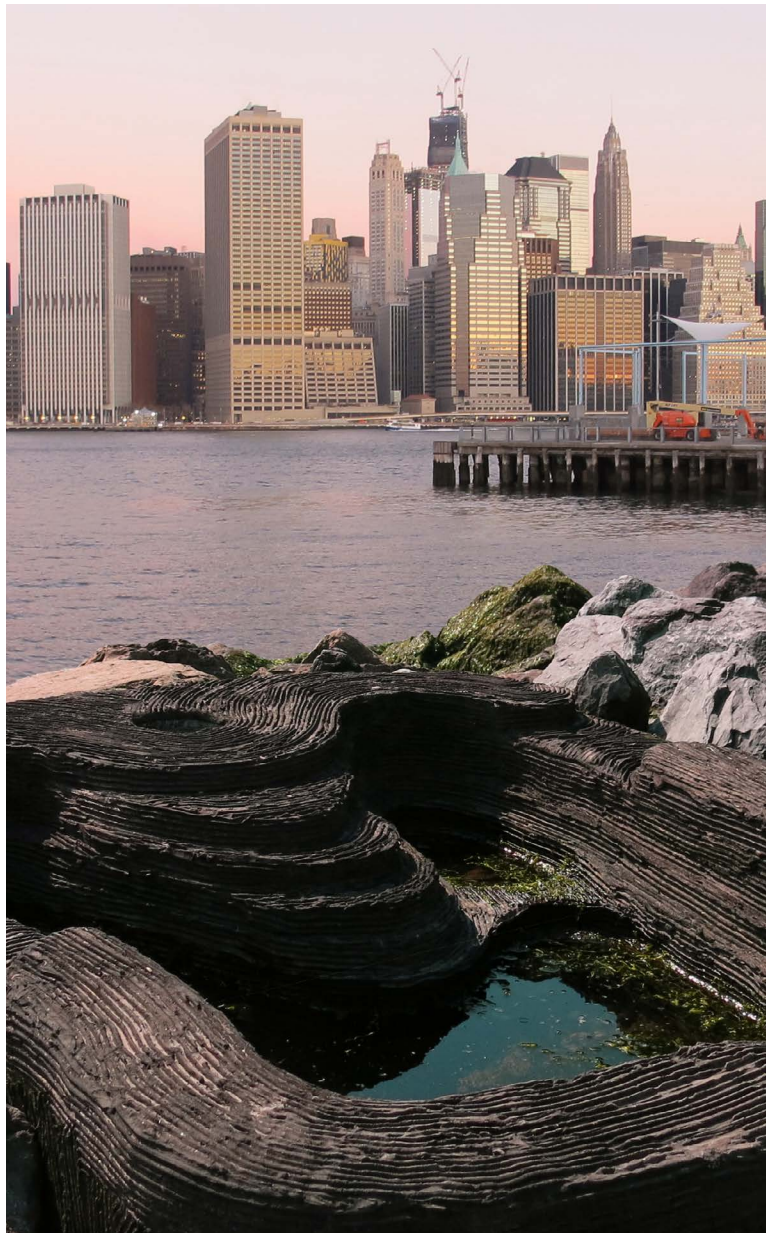
Exclusive Manufacturer & Distributor of

**ECO**ncrete®

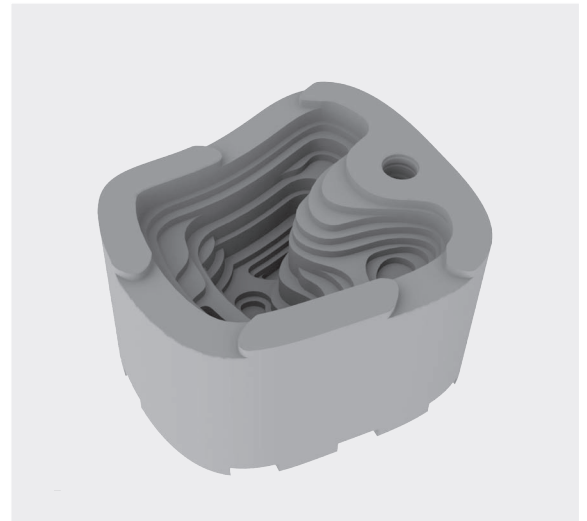
## CLASSIC TIDE POOLS

ECOConcrete®'s tide pools can be integrated into riprap, revetment and breakwater zones and are designed to be easily installed by standard landscaping techniques.

The tide pools are designed to create water retaining elements which are absent in most urban waterfronts. They create well-defined local ecosystems that mimic natural rock pools typical to rocky coasts, and increase local biodiversity and biological productivity.



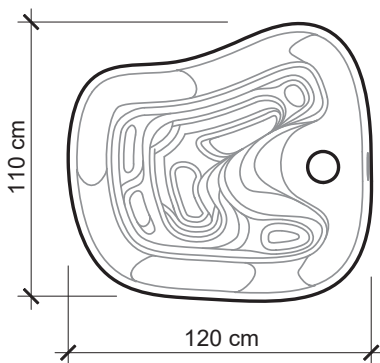
Unit Length (cm)	Unit Width (cm)	Unit Height (cm)	Volume (Litres)	Weight (Kg)
120 (4')	110 (3.6')	70 (2.3')	600 (0.8 yd <sup>3</sup> )	1,400 (3,100 lbs)



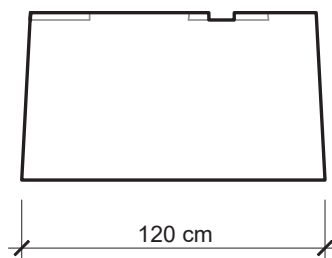
ECOcrete® Tide Pool's dimensions can be fitted to specific project requirements.

The specific concrete matrix used for the casting is defined according to the project's distinct constructive and biological requirements.

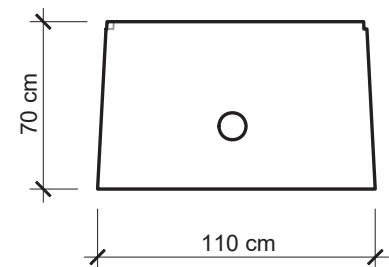
Top view



Side view



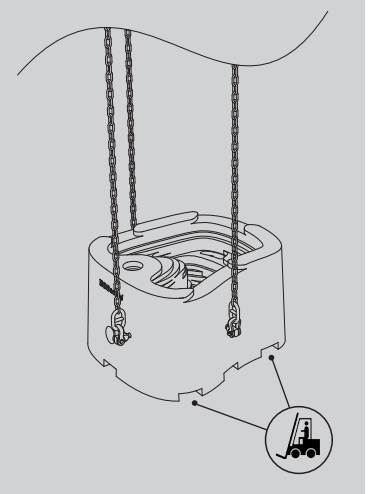
Front view



ECOcrete® Tide Pools are designed to mimic natural inter-tidal areas. With the Tide Pool's constructive abilities, it can be integrated within a breakwater system or biologically enhance a shoreline.

For optimal performance, the Tide Pool should be placed from the mean high water (MHW) to the mean low water (MLW). The outer taper of the unit allows for lockage between stones or armouring units.

ECOcrete® Tide Pools can be transported by forklift and placed using lifting straps/pins.



COPYRIGHT: The concepts and information contained in this document are the copyright of ECOcrete Tech LTD. Use or copying of the document in whole or part without the written permission of ECOcrete Tech LTD. constitutes an infringement of copyright.