

# MOORE CONCRETE

## Building Catalogue



Boundary Precast



Industrial Precast



Building Precast

Siteworks



Groundworks



Quality **Precast** Solutions



## Groundworks

4 Manhole Rings and Accessories

5 QuikBase

5 Safety Signage

6 Public Service Essentials

7 Road Gullies

## Siteworks

8 Kerbs & Dwarf Walls

10 Paving Flags

11 Water and Drainage Channels

12 Graveyard Surrounds

12 Clothes Line Bases

12 Flag Pole Holders

13 Gully Surrounds

13 Bull Nose Steps

## Boundary Precast

14 Wall Copings

16 Pillar Caps

20 Fence Posts & QuikFence

22 QuikBloc

23 Redi-Rock

## Building Precast

24 Chimney Copings & Fireplace Units

25 Heads

25 Door Thresholds

26 Sills

28 Corbels, Roof Slabs & Stringcourse

## Industrial Precast

29 Headwalls

29 Concrete Barriers





*All measurements in mm (unless otherwise stated) and correct at time of printing*



# Groundworks

## Manhole Rings & Accessories

Rings (Internal diameter)	Depth
900	300
	600
	900
	1200
1050	300
	600
	900
	1200
1200	300
	600
	900
	1200
1350	300
	600
	900
	1200
1500	300
	600
	900
	1200

Cover Slabs (To suit ring diameter)	Hole Opening
900	600 x 600
1050	600 x 600
	675 x 675
1200	600 x 600
	675 x 675
1350	600 x 600
	675 x 675
1500	600 x 600
	675 x 675



Standard Double Step



### Accessories include:

- Standard double step
- Double yellow ladder step with sidehold
- Double triangular cover and frame
- Joint sealant

### Benefits:

- High strength and durability
- Tongue and groove design make it easy to fit together
- Joints can be sealed to ensure structure is watertight
- British Standard Approved — BS EN 1917 & 5911-3

## Manhole Seating Slabs



Manhole Seating Slabs (also known as risers or adjusting units) are used to maneuver the cast iron cover to the required level. They fit between the cover slab and cast iron cover allowing them to be stacked on top of each other, this eliminates the need to lay engineering brick. They are fully compliant with building and NI Water regulations.

Size	Height	Opening
850 x 850	75	600 x 600
1125 x 1125	75	675 x 675



# QuikBase

Moore Concrete's 1200mm diameter QuikBase is a safe and efficient solution to installing a manhole. Each base is bespoke and designed with channels and holes to suit the size of pipes being inserted onsite. This means:

- No drilling
- No haunching
- No forming

Simply drop your QuikBase into position and insert the pipes.



Key Features:

- 1200mm internal diameter
- 150mm wide walls
- Hole sizes available from 100mm to 300mm to suit pipe requirements
- Tongue and groove joint to suit Moore Concrete 1200mm diameter manhole rings
- 1:12 gradient haunch



## Safety Signage

We manufacture robust concrete bases for safety signage. Originally designed for use at gasworks they have many other applications such as retail signage.

Brand names can be printed onto the base as required.



Width (at base)	Length (at base)	Height
360	960	230



**"Anything we needed, we got on time.  
The products are very good."**  
*DB Building's Hugh Dobbin from Hartley Hall Residential Development, Belfast.*



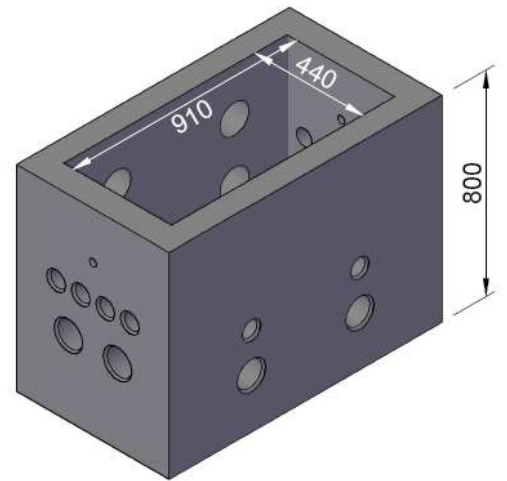
# Public Service Essentials

## BT J4 Junction Boxes

BT Boxes provide easy access for cable jointing and maintenance. This reinforced concrete unit eliminates the need for on-site building.

### Benefits:

- Reinforced walls
- Polystyrene knock-out for variety of cable entry points
- 100mm walls to enable chamber wall height to be raised with blockwork
- 30mm diameter holes to facilitate lifting
- Weight of box is 620kg



## Mini Pillar Bases



Mini Pillar bases are used in NIE contracts as a base for connection boxes.

They include two 10mm bolts for fixing to a connection box.

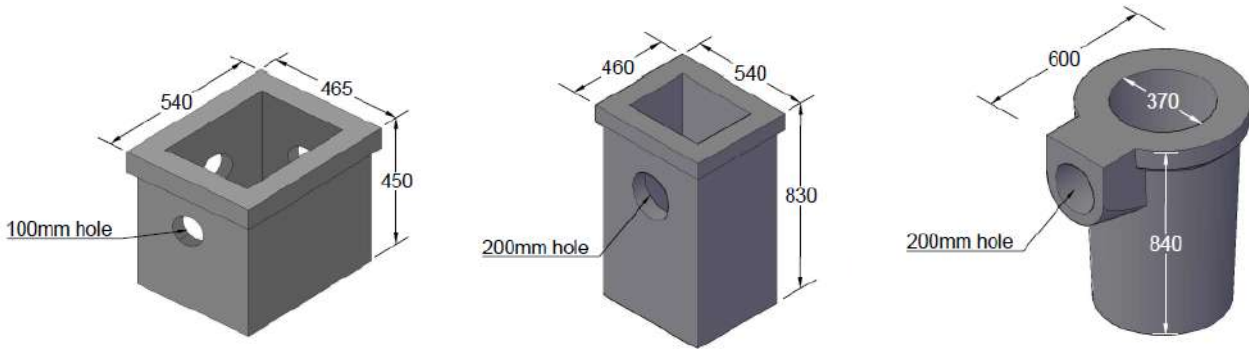
Width	Length	Depth
300	860	100



# Road Gullies

Trapped gullies (round) eliminate odours through the use of a water seal while untrapped gullies and silt boxes (square) are used for collection of surface water.

Silt Boxes come with one hole tapped out, the remaining three can be tapped out if required.



Silt Box

Untrapped Gully

Trapped Gully

C250 Grates are sold separately and suitable for use with all

**"Moore Concrete are always very helpful, only very recently they went the extra mile for a large customer which is brilliant."**

Julie Cox at Mole Valley Farmers Ltd, Devon.



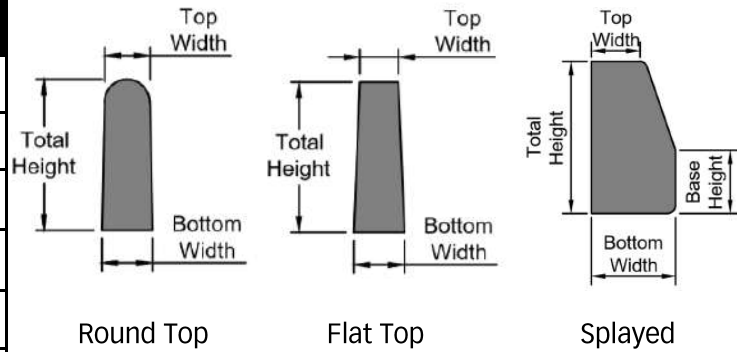


# Siteworks

## Garden Kerbs

	Total Height	Bottom Width	Top Width	Base Height	Quantity per pallet
6" x 2" Round Top Kerb	150	50	43	-	120
6" x 2" Flat Top Kerb	150	50	43	-	120
6" x 3" Flat Top Kerb	150	75	70	-	84
9" x 2" Flat Top Kerb	225	52	50	-	40
6" x 3" Splayed Kerb	150	75	40	70	84
7" x 4" Splayed Kerb	175	100	55	80	40
<i>Kerbs are 915mm long</i>					

We manufacture a range of kerbs for both garden and road use. These stylish kerbs come in different shapes to suit every taste and décor.



**Garden Kerbs are not suitable for driving over with a vehicle.**



6" x 2" Flat Top Kerbs



6" x 2" Round Top Kerbs



6" x 3" Splayed Kerbs



6" x 3" Flat Top Kerbs

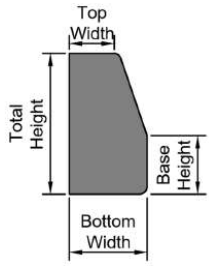


7" x 4" Splayed Kerbs

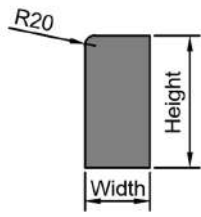
9" x 2" Flat Top Kerbs can be used to cast an in-situ step or for domestic use.

# Road Kerbs

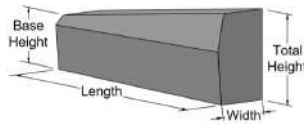
Suitable for roads, yards and gardens



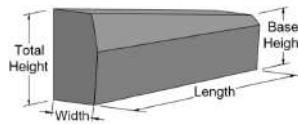
Half Batter Kerb



Bull Nose Kerb



Right Hand Side Drop Kerb



Left Hand Side Drop Kerb



Quadrant Kerb

Half Batter Kerbs	Total Height	Bottom Width	Top Width	Base Height	Length	Quantity per pallet
6" x 5" Kerb	150	125	100	55	915	16
8" x 4" Kerb	200	100	85	100	915	30
10" x 5" Kerb	225	125	100	150	915	16
10" x 5" Thirds	225	125	100	150	305	48
10" x 5" Halves	255	125	100	150	450	32



8" x 4" Half Batter Kerb



6 x 5 Bull Nose Kerb



Left Hand Side Drop Kerb



10" x 5" Half Batter Kerb

Bull Nose Kerb	Height	Width	Quantity per pallet
10" x 5" Kerb	255	125	16
6" x 5" Kerb	150	125	16

*Kerbs are 915mm long*

	Total Height	Width	Base Height	Length
Drop Kerb (Left and Right)	255	125	150	915
Quadrant (to suit 10" x 5" Half Batter)	255	125		

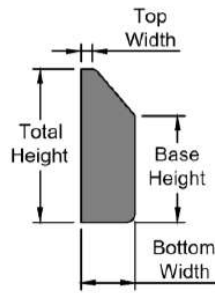


- 10" x 5" Half Batter Kerb
- Left Hand Side Drop Kerb
- 6" x 5" Bull Nose Kerb
- Right Hand Side Drop Kerb
- 10" x 5" Half Batter Kerb
- Quadrant Kerb



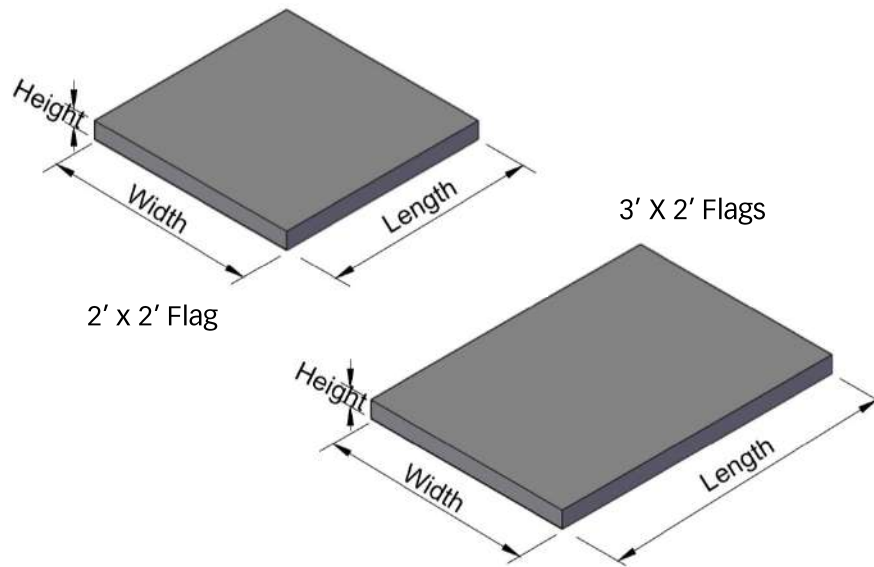
# Dwarf Walls

	Total Height	Bottom Width	Top Width	Base Height	Quantity per pallet
10"	225	80	25	160	32
15"	380	80	25	285	24
18"	450	80	25	355	16
24"	600	80	25	508	16
Dwarf walls are 915mm long					



All dwarf walls are the same width to fit together for a seamless rise. They can retain a small amount of earth.

# Paving Flags



Product Type	Length	Width	Height	Quantity per pallet
2' x 2'	600	600	50	20
3' x 2'	900	600	50	20

Our grey flags create a soft appearance which is ideal for domestic and commercial use.

They are slightly dimpled for a non-slip finish.

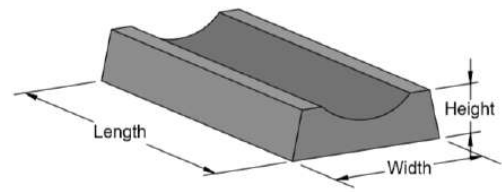


**"Moore's have a great team and excellent products. We're very satisfied with the service."**

*Alex Saul from Gibbs and Dandy, St Ives, Part of the Jewson Group.*

# Water Channels

Product Type	Length	Width	Height	Quantity per pallet	Depth of Dish
6" x 2" Water Channel	610	150	50	120	12
6" x 3" Water Channel	610	160	75	84	25
10" x 5" Pressed Water Channel	915	255	125	16	15



Water channels provide effective water management. They are suitable for both domestic and commercial use.



6" x 2" Water Channel



6" x 3" Water Channel



10" x 5" Pressed Water Channel



10" x 10" Slotted Drainage Channel

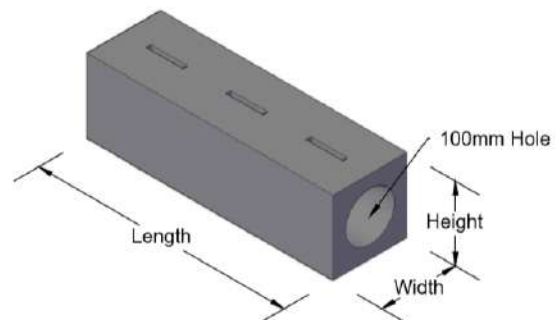
# Drainage Channels

Product Type	Length	Width	Height	Quantity per pallet
10" x 10" Slotted Drainage Channel	915	255	255	10

Slotted drainage channels are suitable for pedestrian precincts, driveways, industrial areas and commercial developments.

**"The Slotted Drainage Channels were perfect for what we needed, the quality was spot on. Moore Concrete are a great company and we'll definitely be making future purchases."**

*Ray Hinton from Hinton Electrical, purchasing for Yodel Depots in Wrexham and Leeds.*





# Flag Pole Holders

These versatile and durable flag pole holders allow easy installation of flag poles. Available in either 600mm (680kg) or 940mm (750kg) with a footprint of 750mm x 750mm. They include forklift recesses for easy transport allowing for quick placement and removal.

Hole Diameters for flags (mm)			
50	75	80	85



# Clothes Line Bases

Clothes line bases are the ideal solution for holding a clothes line in place. A pipe is included to suit your clothes line with the default hole measuring 46mm (internal). The bases weigh 150 kg, the circular shape increases stability, whilst also making it easier to tilt and move.

Base (Diameter)	Total Height	Base Height
600	400	125



# Graveyard Surrounds

Also known as graveyard subs, these simple fair faced concrete cuboids provide a tidy surround to a grave or a solid foundation for a marble surround.



Length	Width	Depth
1220	100	140
2440	100	140
2745	100	140
Other lengths available to order		

# Concrete Bollards

Our concrete finger bollards come in two sizes; 915mm or 1372mm. These round bollards can be used for traffic containment or restricting access to an area. They are extremely robust, which makes them a popular landscaping and building product.



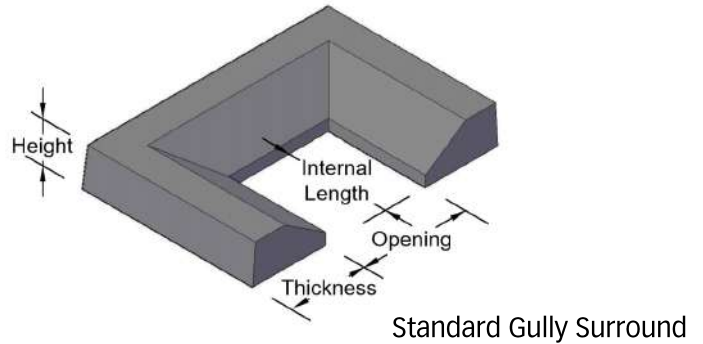
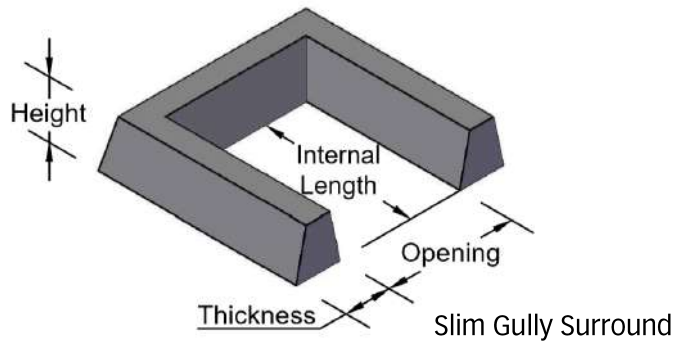
**“We moved to England from Northern Ireland 7 years ago and had to bring our clothes line base with us, no one in England seems to make anything like it. It also makes a great base for Swingball!”**

*Joy Black from Bicester, England.*

# Gully Surrounds

Product Type	Thickness	Opening	Internal Length	Height
9" x 7" Slim	70	180	230	70
9" x 9" Slim	70	230	230	70
7" x 7" Standard	135	180	180	70
10" x 7" Standard	135	165	255	70

Concrete Gully Surrounds prevent silt from entering into a domestic drain.



# Bull Nose Steps

The ideal solution for a front door step or a set of garden steps. The standard finish is attractive for any landscape. The bull nose is available on the front face and either the right or left hand side.

Product Type	Top Width	Bottom Width	Height
Bull Nose Step	400	370	150
<i>Available in lengths up to 2m long</i>			



**"The quality of the products are never in question. We've always had good experiences working with Moore's and are very satisfied with the overall service."**

*Niall from M&P Supplies purchased heads, sills, posts and gullies.*

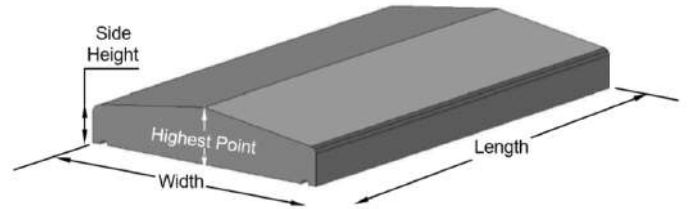


# Boundary Precast

Wall copings provide a stylish finish to all types of wall design. This high quality product deflects rain water away from the face of the wall, preventing discolouration.

## Saddleback Copings

Saddleback Coping	Width	Highest Point	Side Height	Length	Quantity per pallet
6"	150	44	25	600	70
7"	180	65	44	915	60
9"	230	70	51	915	50
12"	305	76	51	915	32
13"	350	102	51	915	21
16"	405	102	64	1000	20
21"	520	117	75	1000	12
24"	600	130	100	600	4



Saddleback copings deflect water in two directions. They are most commonly used on boundary walls.



## Flat Top Copings

Flat Top Copings	Width	Length	Depth
6"	150	610	30
16"	410	595	70

Flat top copings, also known as wall closure copings, are the perfect solution for a parapet coping on a roof.

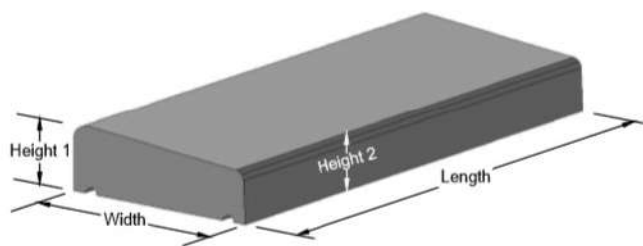


# Featheredge Copings



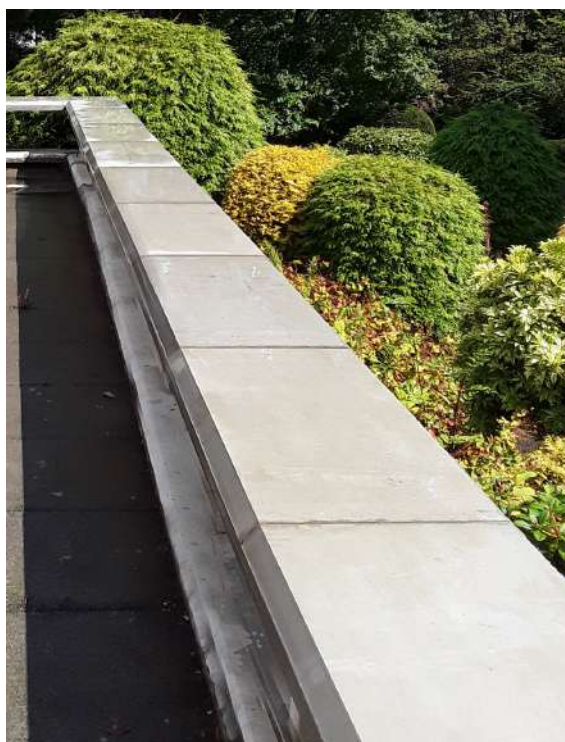
Featheredge Coping	Width	Height (1)	Height(2)	Quantity per pallet
9"	230	60	45	50
13"	330	64	51	30
16"	400	102	64	16
18"	465	102	51	16
21"	525	100	50	16
24"	610	102	51	16
<i>All featheredge copings are 915mm long</i>				

Featheredge copings provide a modern finish. They can be used as a parapet coping on a roof to direct water in one direction.



# Bespoke Copings

Bespoke copings can be made to customer requirements. Bespoke product examples include chamfered edged and humpback. Please contact the building team for special requests.





# Pillar Caps

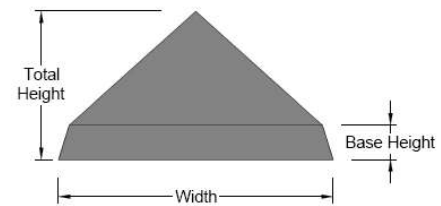
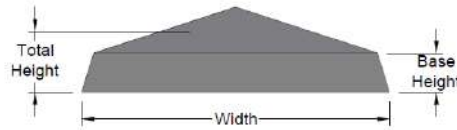
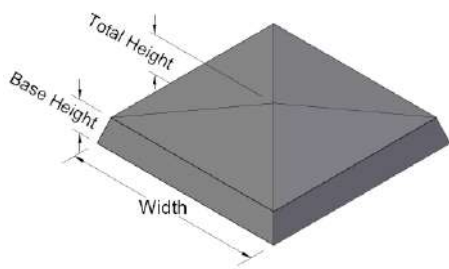
Low Pyramid



Medium Pyramid



Deep Pyramid



Type	Width	Total Height	Base Height
10"	225	51	32
12"	305	70	38
16"	405	76	44
18"	445	102	51
22"	560	127	51
24"	610	127	51
27"	685	127	51
31"	790	152	52
36"	920	90	60

Type	Width	Total Height	Base Height
22"	560	200	75

Type	Width	Total Height	Base Height
22"	560	305	100
36"	900	350	100

Other sizes are available to order.



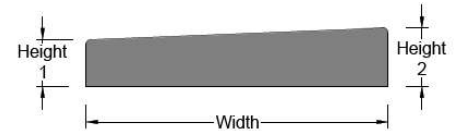
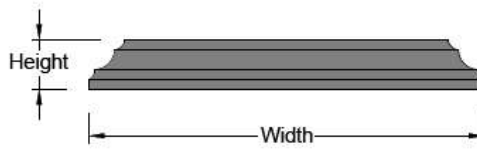
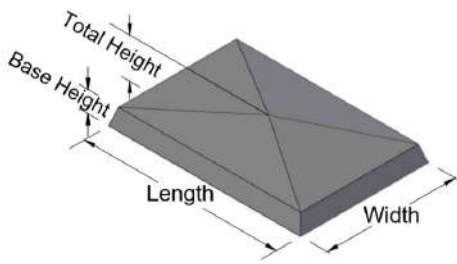
### Rectangular



### Flat Top



### Featheredge



Type	Width	Length	Total Height	Base Height
31" x 22"	560	790	152	51

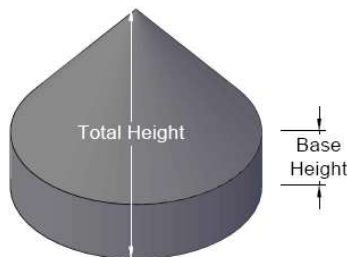
Type	Width	Height
28"	705	110
33"	830	110
37"	930	110

*Rectangular caps can be made in this style*

Type	Height 1	Height 2	Width
13"	51	64	330
16"	64	102	400
18"	51	102	450
21"	44	95	535
24"	51	102	610

*To suit Featheredge Wall Coping*

### Circular Pillar

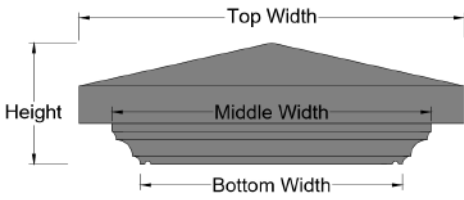


Circular Pillar Caps (Diameter)	Total Height	Base Height
420	200	50
660	255	75
950	260	100

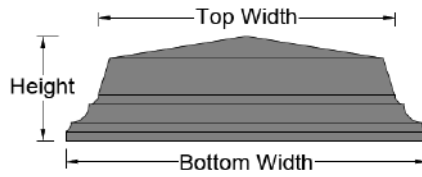


# Pillar Caps

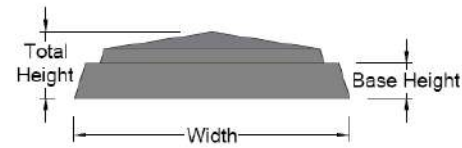
## Regal Pillar Cap



## Stepped Pillar Cap



## Bishop Pillar Cap

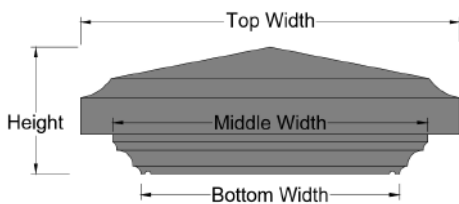


Bottom Width	Middle Width	Top Width	Height	Combination Code
560	705	790	240	DCC22 + PC31
685	830	900	190	DCC27 + PC36

Bottom Width	Top Width	Height	Combination Code
705	560	240	DCC22 + PC22
830	685	240	DCC27 + PC27
930	785	260	DCC31 + PC31

Width	Total Height	Base Height
685	208	70
1000	300	100

## Premium Bishop Pillar Cap



Bottom Width	Middle Width	Top Width	Height	Combination Code
785	930	1000	400	DCC31 + PC1D

## Flush Pillar Cap



Our bespoke Flush Pillar Caps are made to the exact size of a pillar. They are ideal to prevent the scoring of a car on a narrow driveway.

Wall Copings and Pillar Caps are available in the following finishes:



Standard



Exposed Pebble



Exposed Aggregate

Our extensive range of pillar caps provide a stunning finish to any design.

### Accessories:

Pillar caps can be custom made to accommodate lamps or balls as shown



**"I have received many compliments about my wall copings and pillar caps, they are excellent products!"**

*Residential customer, September 2017*



# Fence Posts

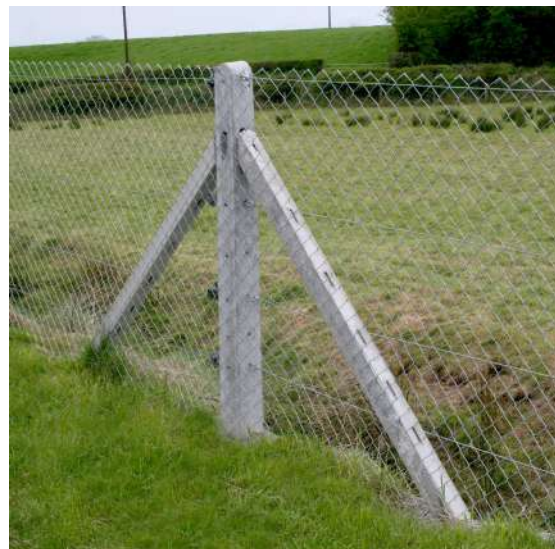
Fence Posts for Timber		
Length	Thickness	Number of holes
1380 (4'6)	100 x 100	2
1525 (5')	100 x 100	3
1750 (6')	100 x 100	3
2280 (7'6)	100 x 100 125 x 125	3
2400 (8')	100 x 100	3
2700 (9')	100 x 100	4
2900 (9'6)	125 x 125	3
Fence Posts for Wire		
1980 (6'6)	125 x 125	6
<i>Corner strainer posts and struts available</i>		



Bespoke lengths available to order

## Key Benefits

- Robust, durable option for fencing projects
- Low maintenance solution—doesn't require treating or staining
- Not susceptible to the affects of moisture meaning no risk of ground rot
- Uniform finish along the fencing line
- Holes are preformed so no need for drilling



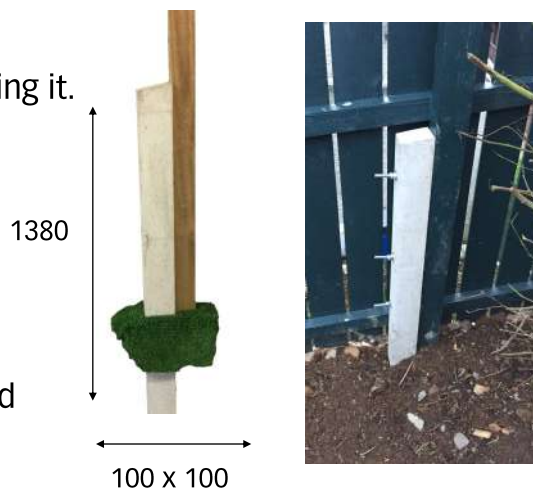
## Concrete Spurs

The ideal solution for strengthening a fence without replacing it.

Installation steps:

1. Dig a hole beside timber post
2. Insert the concrete spur
3. Bolt the spur into the timber post
4. Use Concrete Mix to cement your post into the ground

Features 3 x 10mm diameter holes for bolting



**"We have a very close working relationship with Moore Concrete, they are a professional company who are a pleasure to work with. Their name is continually improving in the GB market."**

Dianne Harrison from MJ Harrison Supplies, Ayrshire, Scotland.

# Fast Drying Concrete Post Mix

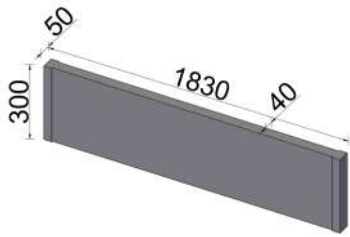
This fast drying product has a 5—10 minute setting time at 20°C. Once set the mix can be covered with earth, grass or decorative aggregate as required. It is available in 20kg bags.



## QuikFence

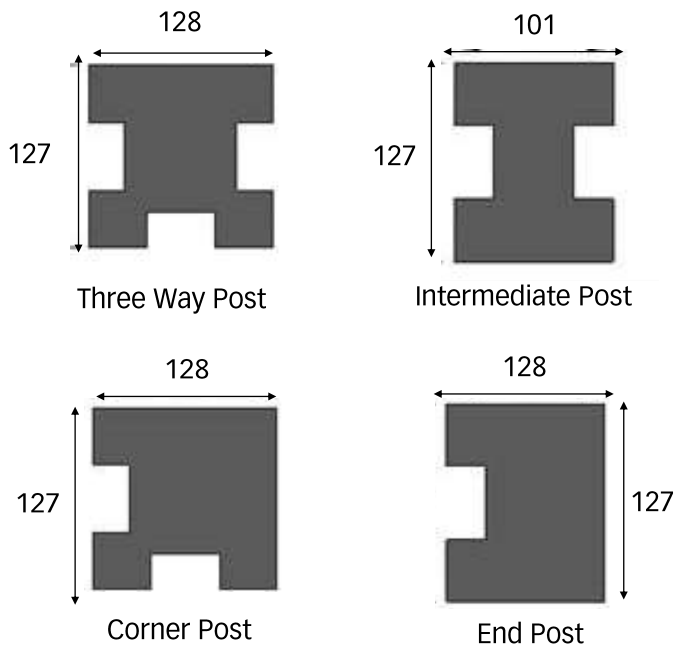
These posts are slotted to accommodate concrete gravel boards and/or timber fencing with no drilling or bolting required. They have a maximum height up to 3000mm.

Gravel boards are 1830mm long x 300mm wide x 40mm thick with 50mm thick ends.



Random rock faced boards also available (single sided).

Post Heights available (mm)				
1800	2100	2400	2700	3000
Maximum height up to 3000mm				





# QuikBloc

QuikBloc is a lego style block and is ideal for both temporary and permanent structures. The interlocking blocks create a strong structure with no need for bonding or fixing. Installation is fast and simple as the blocks are manoeuvred using the lifting eye cast into the top of each block. This means that the blocks can be removed or relocated at any time.

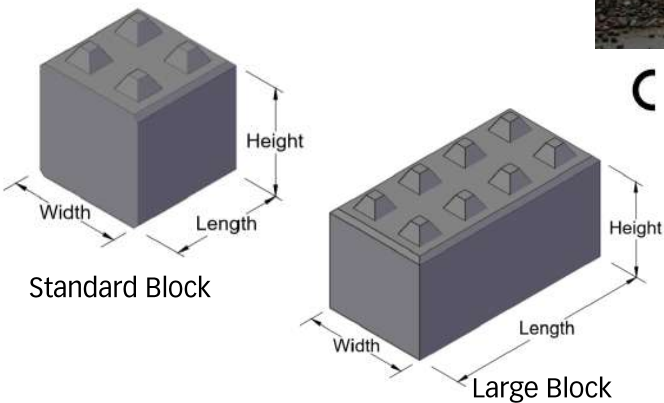
**Uses include:**

- Storage Bays
- Security Perimeters
- Scaffolding
- Earth Retention
- Partition Walls
- Material Segregation
- Coastal Defence



**Suitable for the storage of bulk materials including—**

- Aggregate
- Grain
- Road Salt / Grit
- Root Vegetables
- Recyclables / Waste
- Fertiliser
- Woodchip / Pellets
- Coal



Product Type	L x W x H (mm)	Weight (kg)
Full Block (Standard)	1400 x 700 x 700	1600
Half Block (Standard)	700 x 700 x 700	800
Full Block (Large)	1600 x 800 x 800	2350
Half Block (Large)	800 x 800 x 800	1175

**“QuikBloc from Moore Concrete has revolutionised our storage system. They create a stable storage solution that is resilient to machine damage. The simplicity of the system allows us to add bays as required improving both the efficiency and cost of storage of materials.”**

*Luke McMullan from Quarrystore, Ballymena.  
www.quarrystore.co.uk*



# REDI-ROCK® Freestanding walls

These versatile blocks can be used as

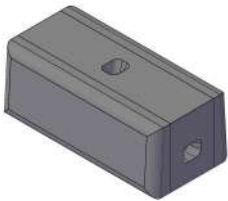
- Steps
- Columns
- Garden planters
- Wall seating

## Benefits

- Beautiful cobblestone finish
- Easy to design incorporating corners and curves
- Textured on 2 or 3 sides as required
- Dry laid, making them quick and easy to install, in any weather
- Easy to dismantle and reposition
- Minimal maintenance required

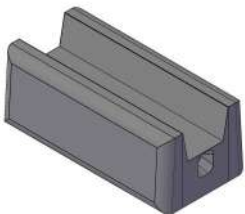


Half blocks and curves available to order



Top Freestanding 46"

Product	Length	Width	Height
Freestanding blocks	1170	616	450
Cap Blocks	1168	724	152



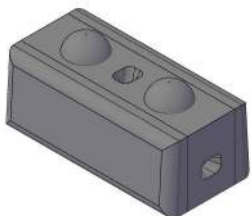
Top Garden Freestanding 46"



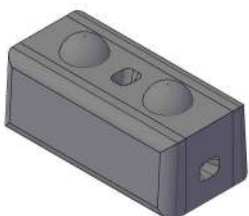
Cap Blocks – Two sided  
Curve 46" x 28.5"

**"We love our Redi-Rock walls—  
they look fantastic!"**

*Amy Nicholls from Milford Waterfront, Wales, where Redi-Rock blocks were used to create a crazy golf course.*



Freestanding Middle 46"



Free Standing – Bottom 46"





# Building Precast

## Chimney Copings

Protect the top of the chimney from erosion by rainwater.

Deep Chimney Copings	
Width	Standard lengths
560	560
	915
	1015
685	685
	785
	915
	1015
	1145
	1220
	1370
	785
1015	
1295	
Other lengths available to order	

Picture Frame Chimney Copings	
Width	Standard lengths
685	915
	1015
	1145
	1220
	1370
	1420
785	785
	1015
	1500
Other lengths available to order	

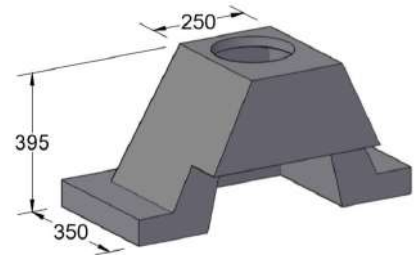
Standard Chimney Copings	
Width	Standard lengths
560	560
	1015
685	685
	1015
Fixed sizes	



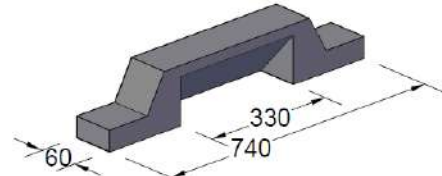
12mm lifting eyes for setting into place



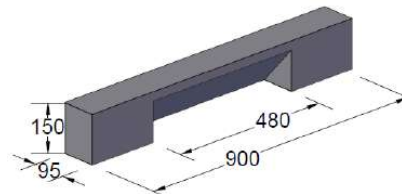
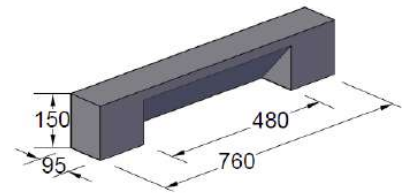
True Flue Unit



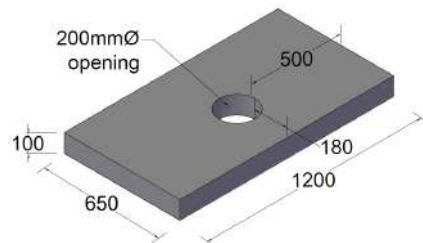
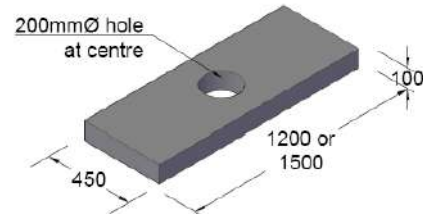
True Flue Head



Fireplace Heads



Flue Slab—Stock Sizes



## Fireplace Units

True Flue units sit above an open fire to channel smoke up the chimney.

Flue slabs sit above a stove to act as a starter for the flue and improve the aesthetics of a stove. Any size of flue slab can be made to order and the hole can be made to suit the flue by being either centred or offset.



# Heads

*Also known as lintels*

Product Type	Height	Width	Increments	Max Length
Dry Cast Heads (Ideal for plastering over on blockwork houses)				
6" x 4"	145	95	150	2100
9" x 4"	210	100	150	2700
6" x 6"	140	140	300	3000
Prestressed Heads (Ideal for leaving exposed on brick/stonework houses)				
4" x 3"	100	65	150	2100
6" x 4"	140	100	150	3600
9" x 4"	215	100	300	4800
Prestressed heads are fair faced on the top, bottom and one side as standard. Fair facing is available on both sides by request				

Padstones (For resting steel beams upon)				
6" x 4"	140	100	450	450
9" x 4"	215	100	450	450
Other sizes can be made to order (eg 9" x 6" or 9" x 9")				
Loading tables available on request				

Arched heads and corner padstones are also available on request.

Prestressed heads are suitable for multi-floor buildings according to loading tables. Please contact the building team for more information.

# Door Thresholds

*Also known as door blocks/slip-sills*

Our 65mm wide x 140mm deep fair faced door blocks are the perfect size to set below your door way to create a threshold. It's thickness and width ensure a perfect fit with most door frames.

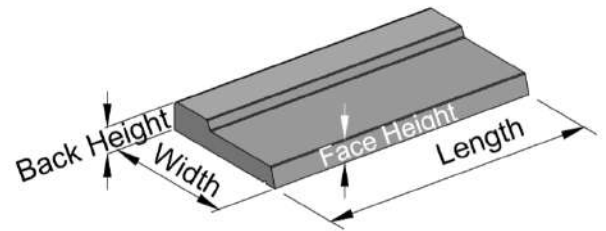


Width	Depth	Length
65	140	1000
		1200
		1500
		1800
		2000
		2400
Other lengths can be made to order		

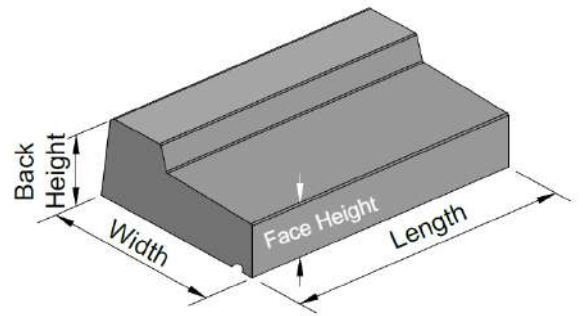


# Sills

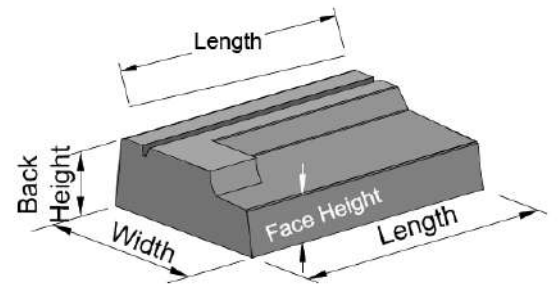
Product Type	Width	Back Height	Face Height	Max Length
<b>Single Course Sills</b>				
Standard Sill	265	75	45	2700
Sill for Timber Frame	215	75	45	2100
Garage Sill ( <i>Made to order</i> )	180	75	45	2600



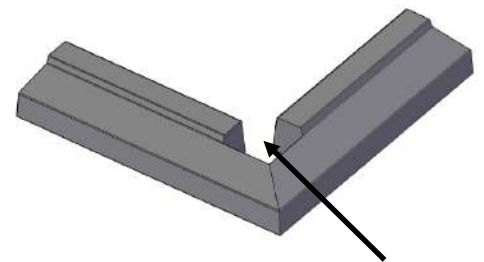
Product Type	Width	Back Height	Face Height	Max Length
<b>2 Course Sills</b>				
Standard Sill	245	140	90	3200
Sill for Timber Frame	215	140	90	2900
12" Sill for Cladding	305	140	90	3200
14" Sill for Cladding	350	140	90	2500
16" Sill for Cladding	400	150	100	2400



Product Type	Width	Back Height	Face Height	Max Length
<b>2 Course Stooled Sills</b>				
2 Course Standard Stooled Sill	245	140	90	2572
2 Course Stooled Sill for Timber Frame	245	140	90	2685



Corner Sill
1m x 1m standard corner sill to suit:
- Single course standard sill
- 2 course standard sill
- 2 course 12" sill for cladding
- 2 course timber frame sill
Smaller lengths can be made to order
<i>Other types of sills can be mitered on site to create corner sills</i>



Corner sill available without post hole on request

## Did you know?

We have a house plan quotation service.

Our dedicated team will assist with quantifying the perfect products for your build.



### Single Course



### Two Course



The difference between single course or two course is the face height of the sill - this aesthetic feature can be decided upon by customer preference.

### Brickwork



### Blockwork (Render)



Sills are available with 100mm stools for brickwork.

### Stonework on House



14" and 16" sills for stonework or cladding available to order.

### Exposed Pebble Finish



Sills can be made to order with exposed aggregate or exposed pebble finish.

### Bay Sills



Sills can be made at 45 or 60 degrees to create the perfect bay.

### Curved Sills



Curved sills can be made to order.



# Corbels and Roof Slabs

Corbels add distinction to a house and provide a small sheltered outdoor porch. They have a 15mm slope to divert rainwater. Our roof slabs are made to compliment the corbels, providing a distinguished finish. These products are bespoke and made for customer requirements.



# Stringcourse

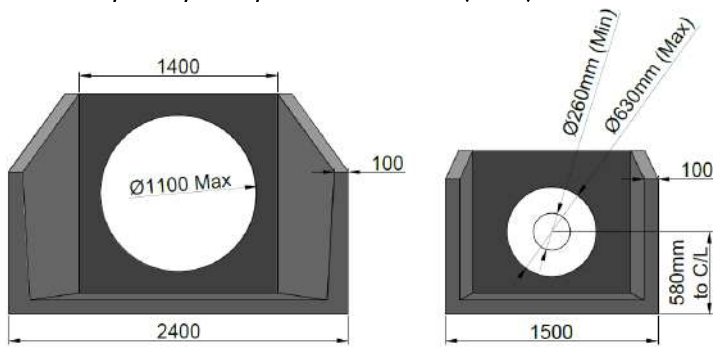
Stringcourse, also known as Bandcourse, forms a horizontal band around a building either flush or projecting out from the building's facade. This provides an interesting, stylish, architectural feature which adds to the aesthetics of a building. It also acts as a drip, preventing water stains on the wall below. All stringcourse is made to order.



# Industrial Precast

## Headwalls

- Anti-erosion structure for pipeline outfalls
- Ready to install
- No need for shuttering
- Large headwall hole sizes are bespoke and can be made up to a maximum of 1100
- Standard headwalls have the following hole sizes available:  
260, 360, 460, 545 and 630 (mm)



Large Headwall

Standard Headwall



## Concrete Barriers

Our concrete barriers have forklift holes for easy manoeuvring. They can be used for:

- Temporary road blocks
- Protection of vacant sites
- Channelling traffic
- Car park boundaries
- Earth retention
- Material storage

They have 2nr 250mm deep x 100mm wide forklift recesses to facilitate easy handling and can be painted upon request.



Length	Width (at base)	Height	Weight
2.50m	710mm	900mm	2 tonne



# Example Projects

## Millmount Village

### Products supplied:

Heads and Sills

### Description:

We supplied heads and sills to Lagan Homes for Millmount Village. This was a two year project across a large site, comprised of over 1000 units with 70—80 homes being completed each year.



**"The quality of the products and the service provided by Moore Concrete is excellent and we look forward to continued business"**

Lagan Homes Ltd

## Strathclyde Fire & Rescue

### Products supplied:

Bespoke heads and sills

### Description:

We supplied sloped heads and extra wide sills for the building of the £2.4m Strathclyde Fire and Rescue Service Centre. These products had to suit a building that imitates a real-life fire fighting situation. Lagan Construction Ltd were contracted for the work.



## Cornmill Country Estate

### Products supplied:

Heads, Sills, Chimney Caps, Kerbs, Dwarf Walls, Copings, Rings, Gullies and BT Boxes

### Description:

A variety of products were supplied to the Cornmill Country Estate including 10" x 5" bull nose kerbs, stooped sills, prestressed/rough heads and headwalls.



**"We have worked with Moore Concrete for many years as they provide a great range of high quality products coupled with an efficient, reliable service. On large developments such as the Cornmill Country Estate, it is great that we can order many products from Moore's and have the confidence that they will delivered as requested."**

Denver Todd Homes Ltd

# Delivery Options

- Standard Delivery
- Pallet Distribution for small orders
- Call and Collect  
*Ring into the office to pre-order your products, our yard team will have it ready for collection at a time that suits you.*



We deliver all over the UK and Ireland.  
Contact our Building Sales Team on  
028 2565 2566, Ext 2  
to locate your nearest merchant



*“Moore’s products are great quality —collection from yard is very convenient with quick service.”*

*Paul Quigg from Harvey Hill Contracts who purchased Fence Posts and Kerbs.*



*Health and  
Safety*

*Quality*

*Efficiency*

*Resolute*

*Respect for  
all*



President's Award



INVESTOR IN PEOPLE

Moore Concrete Products Ltd, Caherty House, 41 Woodside Road, Ballymena,  
County Antrim, Northern Ireland, BT42 4QH

**Tel:** +44 (0) 28 2565 2566 (Ext 2)

**Web:** [www.moore-concrete.com](http://www.moore-concrete.com)

**Fax:** +44 (0) 28 2565 8480

**Email:** [orders@moore-concrete.com](mailto:orders@moore-concrete.com)

 **MOORE CONCRETE**

**Quality Precast Solutions**