



FREE STANDING RETAINER WALLS



Free standing retainer walls

Ideal for the storage of silage, feedstuffs, coal or aggregates

www.moore-concrete.com



 Manufactured to EN 15258

FREE STANDING RETAINER WALLS

TABLE OF SIZES

Height	Length	Width	Weight
2425 (8')	1219	1000	1260kg
3000 (10')	1700	1000	2030kg
4000 (13')	2150	1000	3000kg

 Manufactured to EN 15258

Features and benefits:

STORAGE

Offers an effective solution to the storage of silage, feedstuffs, coal, aggregates, waste material etc.

VERSATILITY

Versatile storage capacity is a must for any business dealing with bulk materials. Each unit is load bearing in 2 directions. The units are ideal for dividing space into bays. They can easily be removed from one position and transported to another.

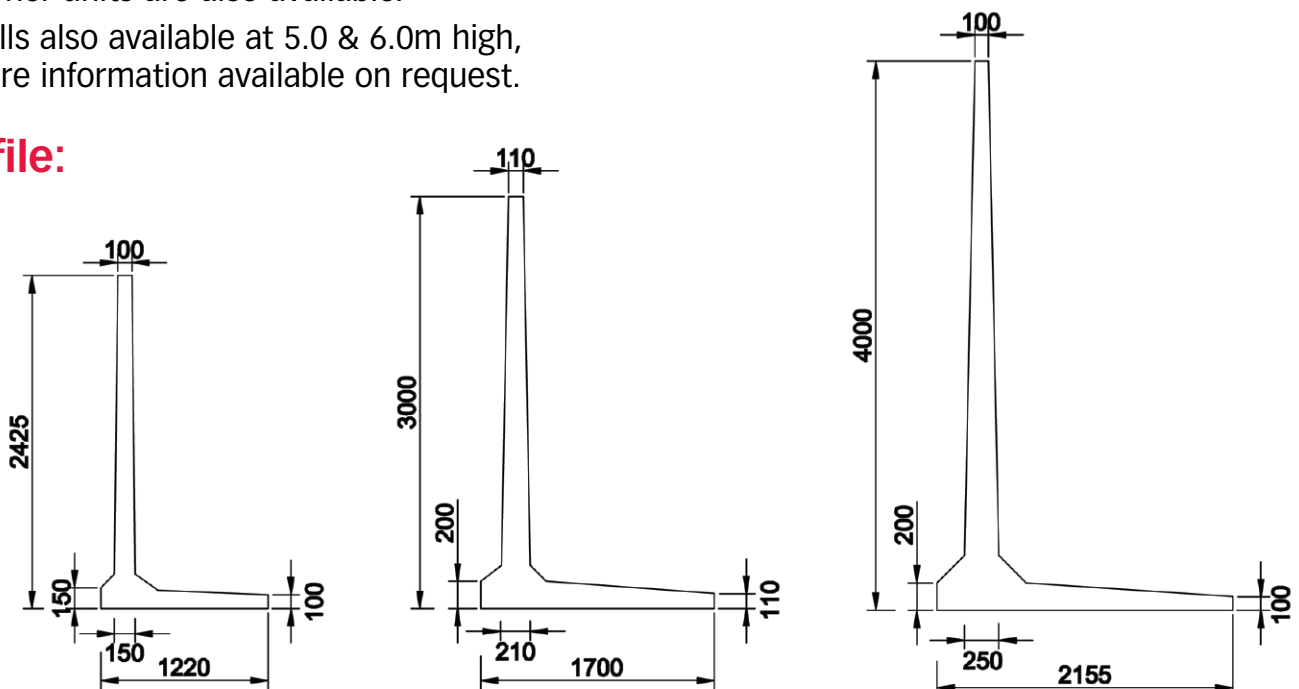
SPEED OF INSTALLATION

Units are simple to position and the wall can be completed extremely quickly.

OPTIONAL

- Pull-out points can be fitted to facilitate easy access to the silage face.
- If required, joints between individual wall sections can be sealed by leaving a 10mm gap, backing with foam plastic cord, and sealing with polyurethane sealant.
- Corner units are also available.
- Walls also available at 5.0 & 6.0m high, more information available on request.

Profile:



Moore Concrete Products Ltd, Caherty House, 41 Woodside Road, Ballymena, County Antrim, Northern Ireland BT42 4QH

Tel: +44 (0) 28 2565 2566 Fax: +44 (0) 28 2565 8480

Web: www.moore-concrete.com Email: info@moore-concrete.com



INVESTOR IN PEOPLE

