



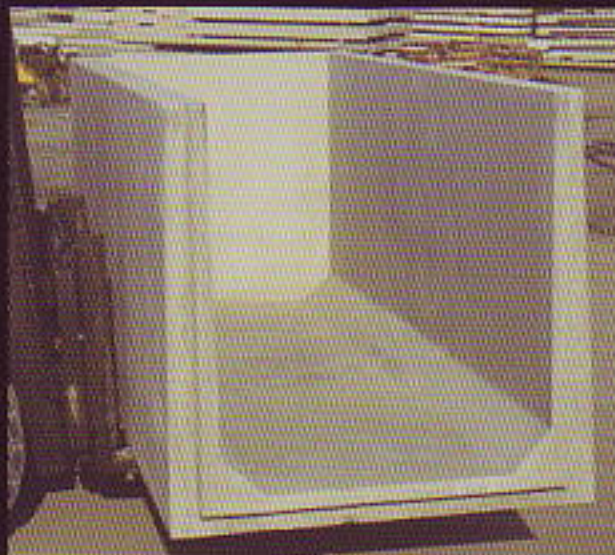
MOORECONCRETE

SLURRY CHANNEL SYSTEMS



Slurry channel systems

www.moore-concrete.com



SLURRY CHANNEL SYSTEMS

Features and benefits:

SPEED OF INSTALLATION

The units can be laid quickly, using slings.

SEALING

The spigot/socket system provides a tight joint, which can be sealed with a polyurethane sealer if required.

AGITATION

Transfer channels reduce the need to agitate manure inside farm buildings.

FINISH

Extremely smooth surface allows free flow of slurry through the channel to the holding tank.

OPTIONAL

Precast ends, complete with outlet holes are available as requested.

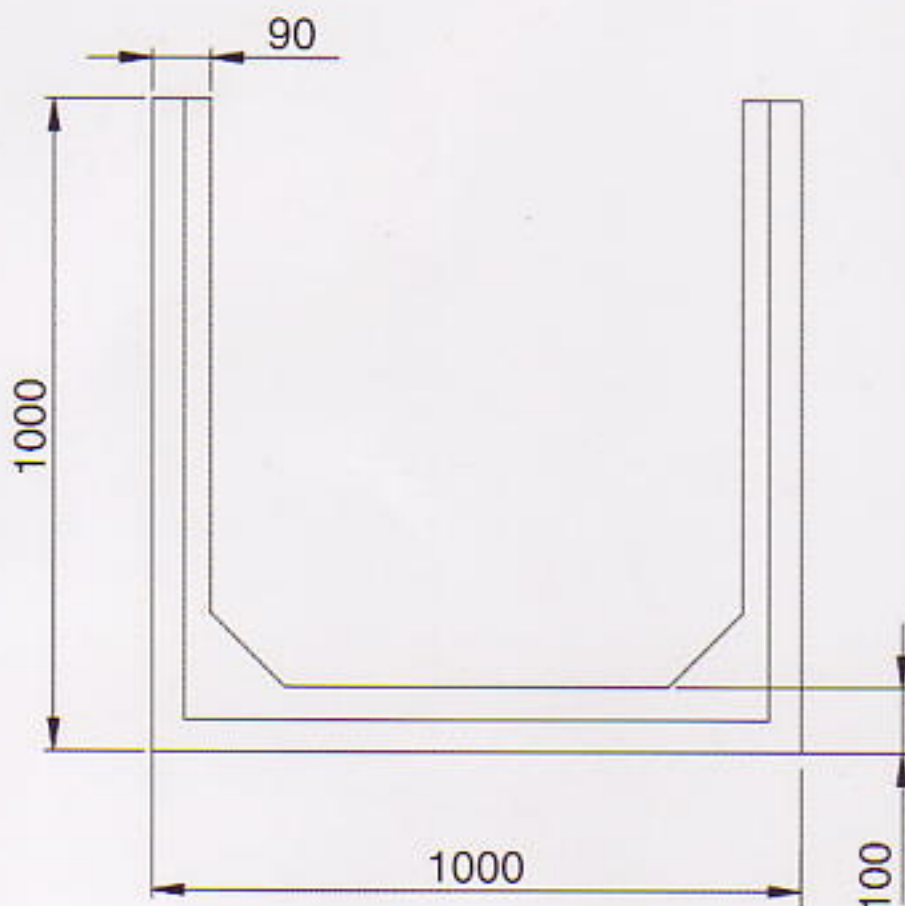
COVERS

Diagonal gang slats are available for the 1m x 1m channel in tractor and cattle bearing strengths and are ideal for scraper systems. Solid covers can be provided for both sizes of channel.

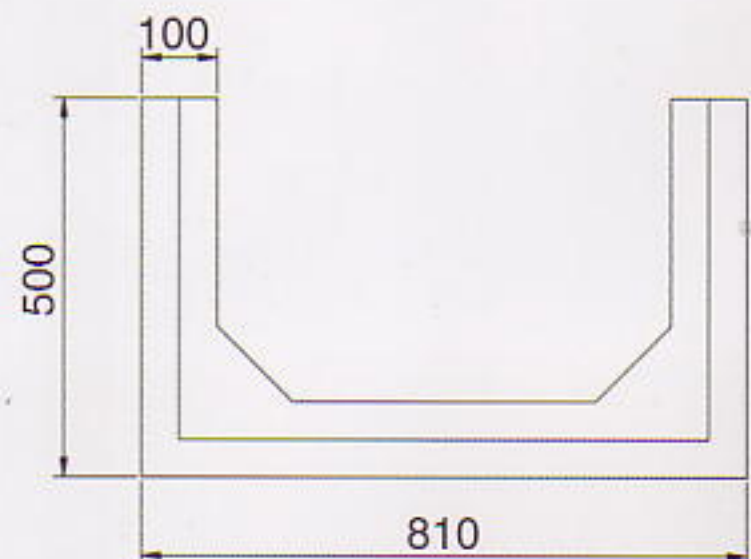
QUALITY

Moore Concrete is renowned throughout the U.K. and Ireland for providing a Precast Quality Service. The units are fully compliant with regional standards.

Profile:



Channel 1000 wide x 1000 high x 2400 long



Channel 800 wide x 500 high x 2400 long