

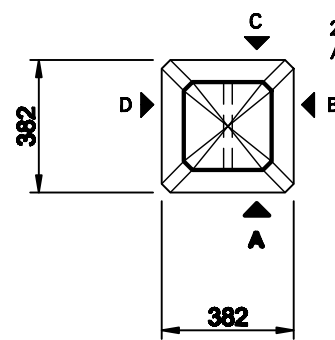
3D SKETCH OF GATE POST

ELEVATION 'A'

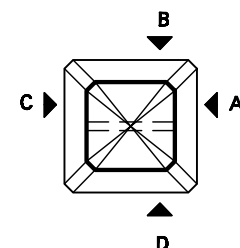
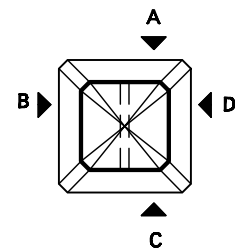
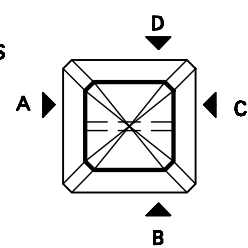
ELEVATION 'B'

ELEVATION 'C'

ELEVATION 'D'



25mm CHAMFER TO ALL EXTERNAL EDGES



PLAN

PLAN

PLAN

PLAN



General Notes

No.	Revision/Status	Date



TAPERED GATE POST

Project	Sheet
Date	06
Scale	1:20