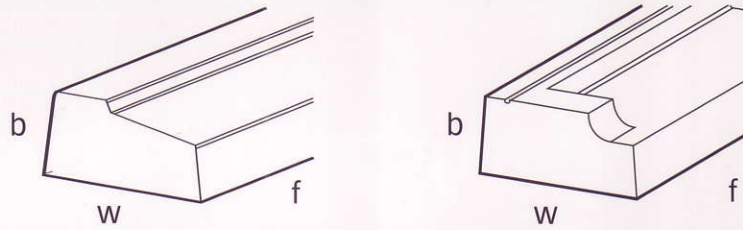


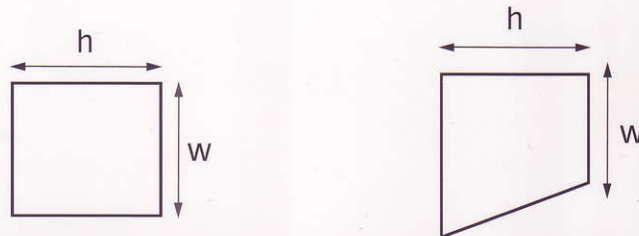
QUALITY PRECAST CONSTRUCTION PRODUCTS

SILLS



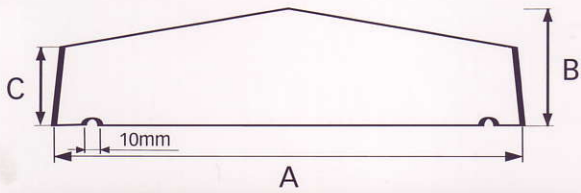
PRODUCT TYPE	Width (w)	Back (b)	Face (f)	Face (f)
2 Course Sill – Standard	305	147	94	3200
2 Course Sill for Timber Frame	215	140	90	2250
2 Course Sill for Cladding (Type A)	350	155	100	3200
2 Course Sill for Cladding (Type B)	405	155	100	3200
2 Course Stooled Sill – 100 Stools	305	147	94	2685
Single Course Sill	305	76	51	3150
Single Course Sill for Timber Frame	215	75	45	2100
Single Course Garage Sill	180	75	75	

LINTELS



PRODUCT TYPE	Height (h)	Width (w)	Increments	Max Length
Dry Cast Heads				
150 x 100 (6" x 4")	133	95	150	2100
215 x 100 (9" x 4")	210	102	150	2700
150 x 150 (6" x 6")	150	150	300	2700
Prestressed Heads				
100 x 65 (4" x 3")	100	65	150	2100
140 x 100 (6" x 4")	150	100	150	3600
215 x 100 (9" x 4")	215	100	150	4800
Boot Lintels				
100 x 65 (4" x 3")	100	65	150	2100
140 x 100 (6" x 4")	150	100	150	3600
215 x 100 (9" x 4")	215	100	150	4800

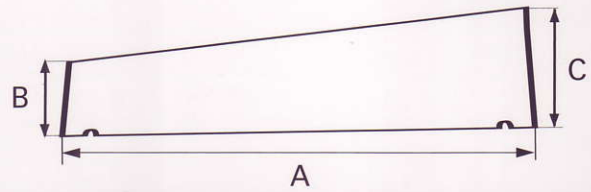
WALL COPINGS



A	B	C	Length
---	---	---	--------

Saddleback Wall Copings

152	44	25	610
178	70	44	915
229	70	51	915
305	76	51	915
350	102	51	915
406	102	64	991



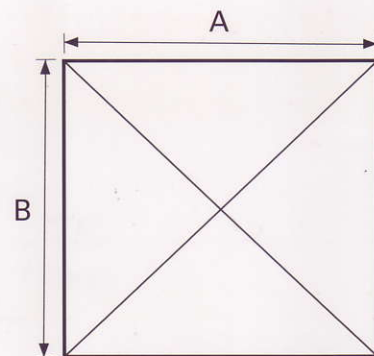
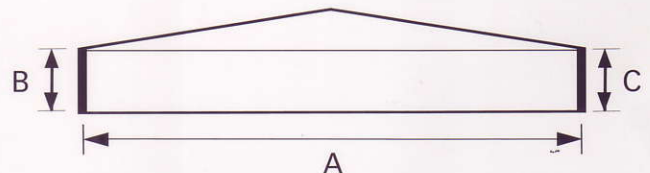
A	B	C	Length
---	---	---	--------

Featheredge Wall Copings

330	51	64	915
406	64	102	915
457	51	102	915
533	44	95	915
610	44	95	915

PILLAR CAPS

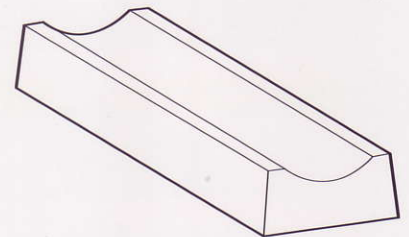
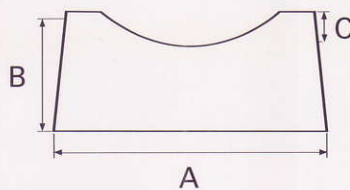
A	B	C	Length
254	254	51	32
305	305	70	38
406	406	76	44
432	432	89	51
457	457	102	51
559	559	127	51
610	610	127	51
686	686	127	51
787	787	152	51
787	559	152	51



WATER CHANNELS

A	B	C
152	51	13
152	76	25

Channel Length: 610



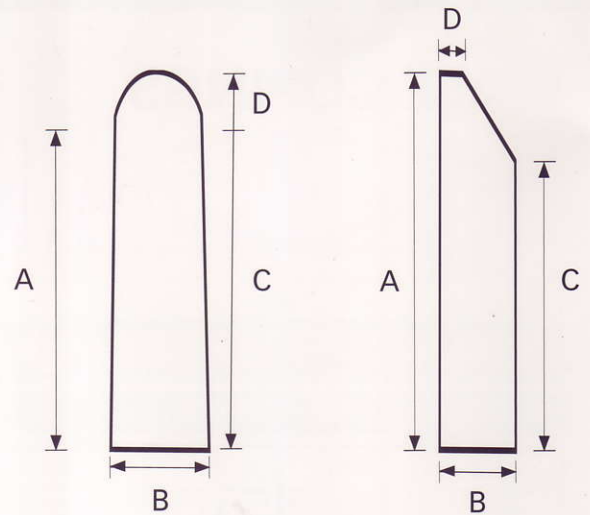
QUALITY PRECAST CONSTRUCTION PRODUCTS



KERBS

KERB	A	B	C	D
Splayed Kerb	152	76	76	38
	178	102	76	64
Dwarf Wall	254	89	165	25
	380	89	292	25
	610	89	508	25
Round Top Kerb	152	51	152	43
Flat Top Kerb	152	51	152	43

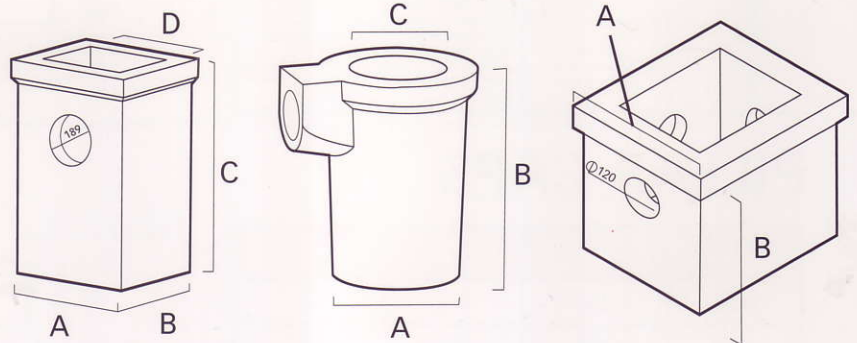
Kerb Length: 915



ROAD GULLIES

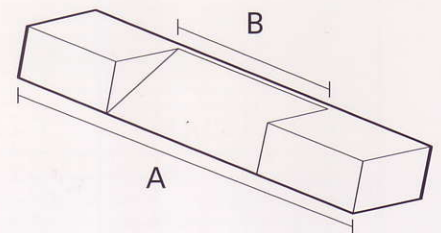
ROAD GULLIES	A	B	C	D
Untrapped	500	500	745 (Internal)	374
Trapped	476	835	600	

SILT BOX	A	B
Standard Silt Box	465	450



TRUE FLUE & FIREPLACE HEADS

HEAD	A	B
Fireplace Head	756 902	464 464
Head for True Flue	737	457



FENCE POSTS

FENCE POSTS	A	B	C
Fence Posts	2464	91	91
Strainer Post Struts	1981	127	76
Strainer Posts (Corner & Intermediate)	1981	127	76

Moore Concrete Products Ltd, Caherty House, 41 Woodside Road,
Ballymena, County Antrim, Northern Ireland BT42 4QH

Tel: +44 (0) 28 2565 2566 Fax: +44 (0) 28 2565 8480

Web: www.moore-concrete.com Email: info@moore-concrete.com



INVESTOR IN PEOPLE



ISO 9001
FM53305



OHSAS 18001
OHS 505753